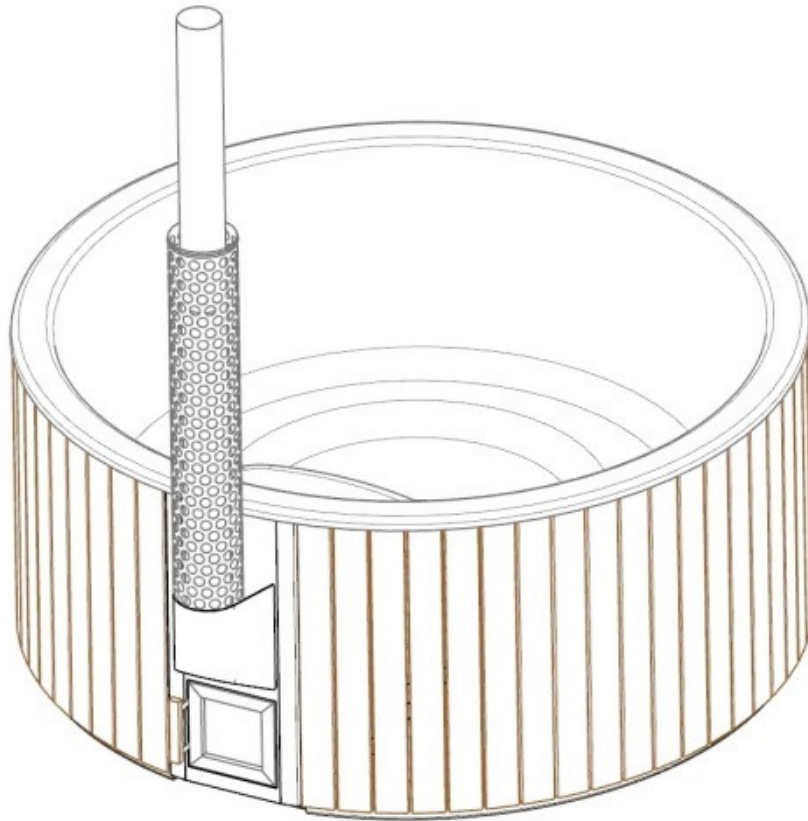


ÖSEL

OPERATING INSTRUCTIONS



Copyright © Ösel Tubs

A tub is snug!

Contents

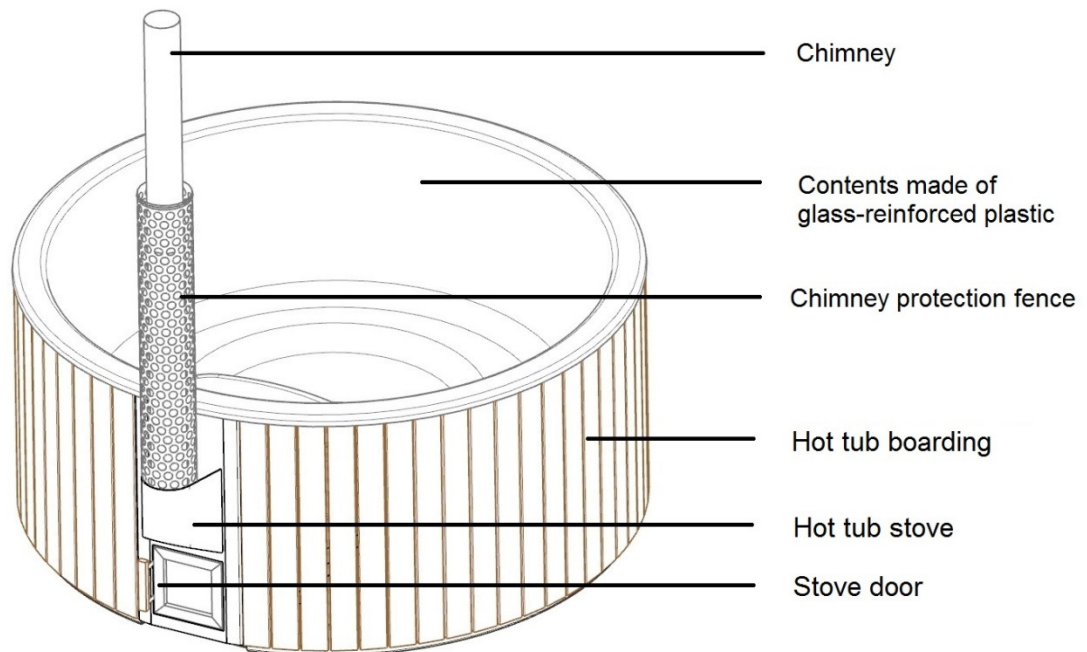
ABOUT	3
SAFETY	4
INSTALLATION OF THE HOT TUB	5
HEATING THE HOT TUB	7
MAINTENANCE OF THE HOT TUB	8

A tub is snug!

About

Dear hot tub owner!

These instructions are to assist you in using and subsequently maintaining the hot tub. Before using the hot tub for the first time, make sure you read these operating instructions. If you have any questions, additional information is available on our website at: www.oeseltubs.ee



- ✓ Capacity 6 to 8 people
- ✓ Water consumption 1250 L
- ✓ Heating time 1,5 to 2 hours
- ✓ External diameter of the hot tub 2.2 m
- ✓ Internal diameter of the hot tub 2.02 m
- ✓ Height from the ground 0.95 m
- ✓ Seat depth 0,65 m
- ✓ Weight approximately 220 kg

A tub is snug!

Safety

When using the hot tub it is very important to follow local safety regulations, in order to avoid any risks to human health or property. The instructions below are common-sense recommendations to prevent any immediate dangers.



Firing of the hot tub's stove may begin only after the hot tub has been filled with water.



This hot tub is a product that includes a hearth. Please be careful when firing the stove.

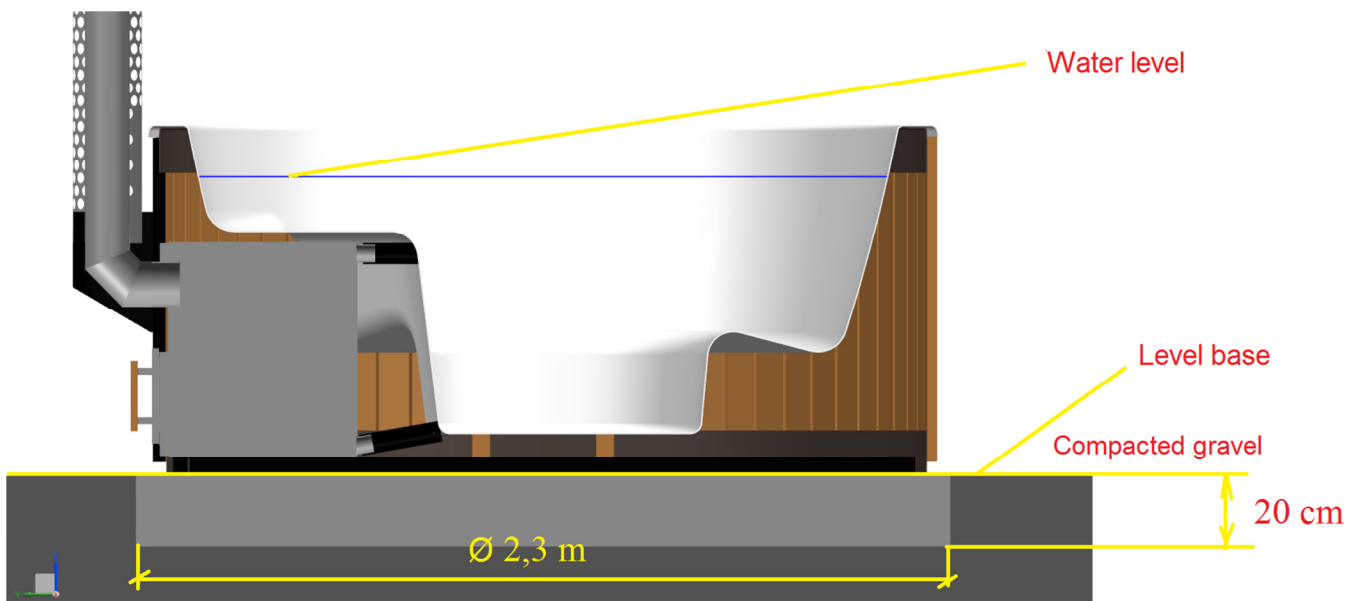
- ✓ For fire safety purposes, place the hot tub at a distance of at least 4 m from any building.
- ✓ Never leave the hot tub's stove unattended while heating.
- ✓ While the stove is being fired, the chimney and the stove are hot and may cause burns when touched.
- ✓ The hot tub is intended for accommodating a certain number of people. Make sure that the number of users in the hot tub does not exceed the permitted number, or else the hot tub may be subjected to excess weight.
- ✓ When firing the stove, heat the water in the hot tub to a recommended maximum of +39 °C.
- ✓ Never jump into the hot tub.
- ✓ Never leave children unsupervised in the hot tub.
- ✓ The use of chlorine-containing detergents to wash the hot tub is prohibited.
- ✓ Never use abrasive cleaning agents to clean the hot tub.
- ✓ In winter, always drain the hot tub and stove after use to prevent any subsequent freezing of water in the hot tub or its pipes.

A tub is snug!

Installation of the hot tub

- ✓ The hot tub will be delivered to the customer's home, packaged on a pallet.
- ✓ Place the hot tub on an even level surface (see Figure 1).
- ✓ It is recommended that you fill the surface beneath the hot tub with a layer of compacted gravel of approximately 20 cm (see Figure 1).

Figure 1

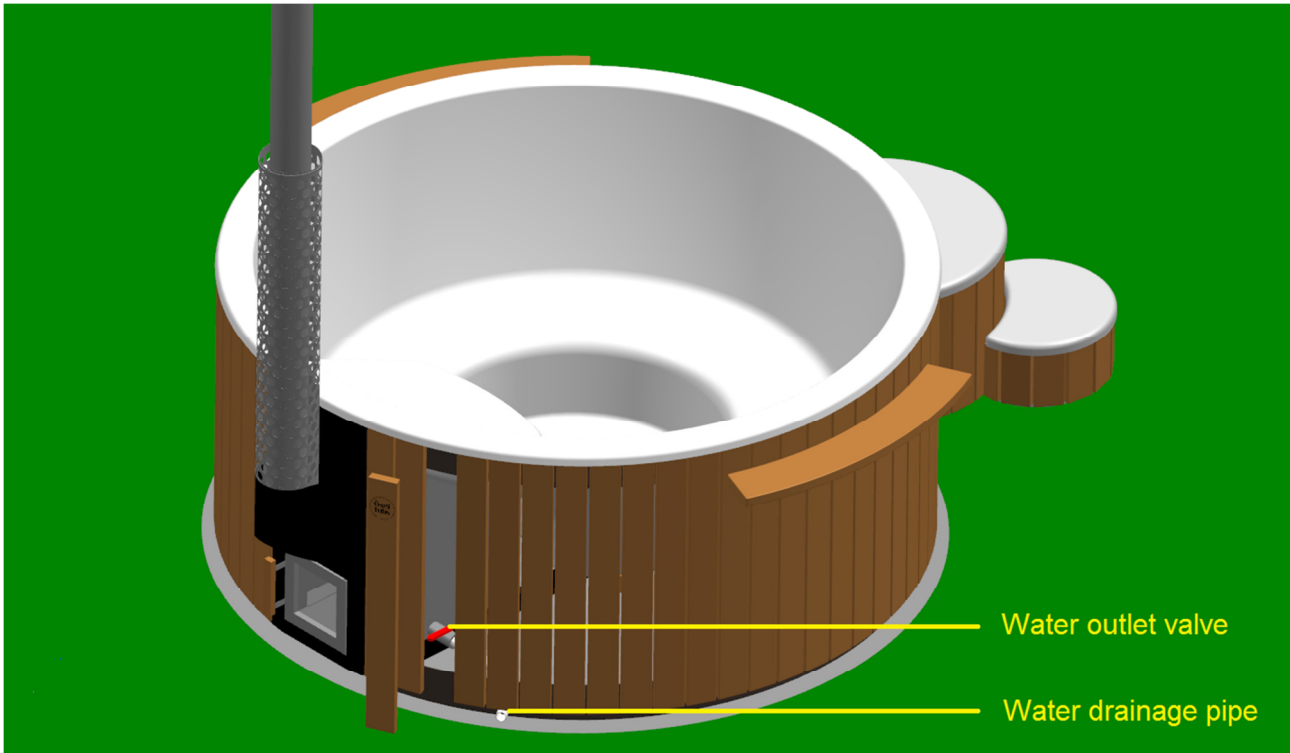


- ✓ It is advisable to drain any water from the hot tub into the sewage system, stormwater drainage or, through an auxiliary hose, into an offlet elsewhere.
- ✓ The hot tub set includes as an accessory an additional pipe with an external diameter of 40 mm connecting to the outlet valve whereby an outlet tube or a longer water hose may be connected (see Figure 2).

NOTE: To open or access the valve, remove the boarding with the “Ösel tubs” logo by first pushing the board up vertically and then pulling the bottom edge of the board down slightly, towards yourself, and then remove the board by pulling it back down (see Figure 2).

A tub is snug!

Figure 2



A tub is snug!

Heating the hot tub



Firing of the stove may begin only after the hot tub has been filled with water!



Water may be drained from the hot tub only after the embers in the stove have been fully extinguished!

- ✓ Before filling the hot tub with water make sure that the drain valve of the hot tub is closed.
- ✓ Fill the hot tub to a level where the water is approximately 10 cm over the section above the stove (see Figure 1).
- ✓ We recommend using only dry wood to fire the hot tub's stove. Use a pellet fuel starter or lighter fluid to facilitate starting a fire.
- ✓ To heat water faster, it is advisable to cover the hot tub with a lid.
- ✓ It is recommend to heat the water in the hot tub to a maximum of +39 °C.
- ✓ Any ash particles accidentally released into the water when heating the hot tub may be conveniently removed using an ordinary kitchen sieve.
- ✓ Never use paper to light firewood, as this causes excessive airborne sparks.

A tub is snug!

Maintenance of the hot tub

Cleaning and maintaining the hot tub regularly is important in terms of both hygiene and the long-term preservation of the hot tub.

NB! The instructions below are recommendations for users of the hot tub.

- ✓ It is advisable to wash the hot tub after each use.
- ✓ It is advisable to shower before using the hot tub, to ensure better hygiene in the water.
- ✓ The hot tub may be washed with a pressure washer, and it is advisable to use regular household detergents and a soft cloth to clean it.
- ✓ No hard material or material with a rough surface or chlorine-containing cleaning agents should be used to clean the hot tub (will cause discolouration of the hot tub).
- ✓ It is advisable to apply *Tikkurila* timber oil (brown, colour 5052) with a brush to the timber details of the hot tub once a year.



**In winter, always drain the water from the hot tub and stove after using it.
Water freezing may cause the hot tub or stove to break!**

A tub is snug!