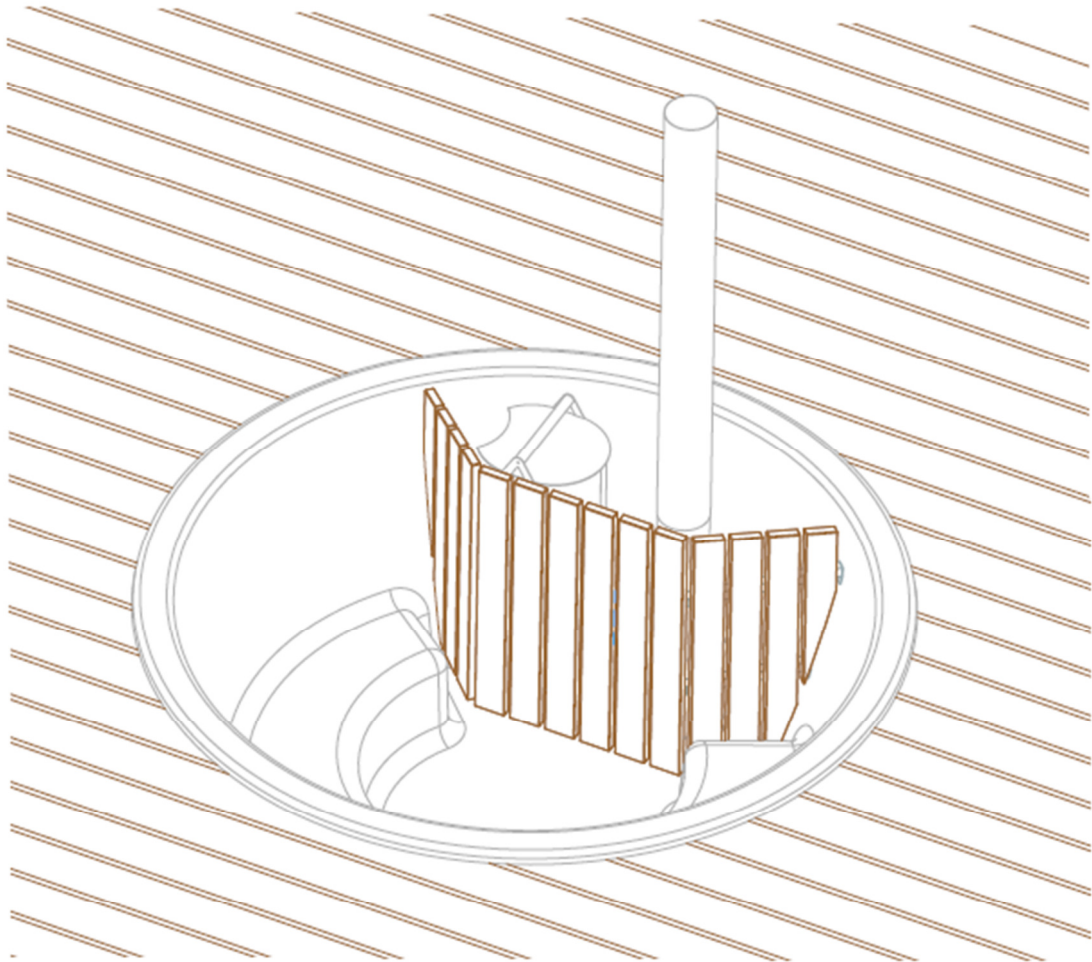


# TERRASS

## OPERATING INSTRUCTIONS



Copyright © Ösel Tubs

*A tub is snug!*

## Contents

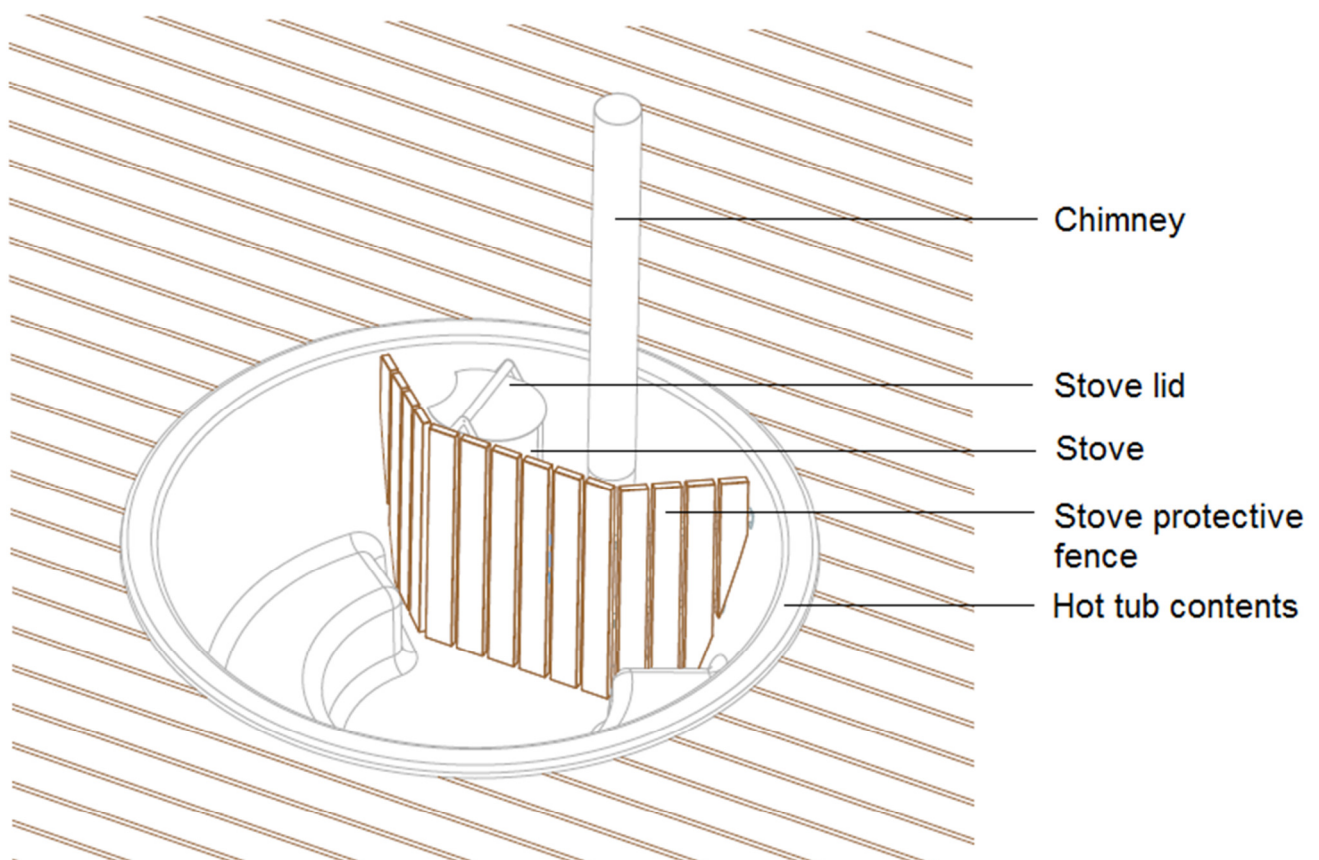
<b>ABOUT</b>	<b>3</b>
<b>SAFETY</b>	<b>4</b>
<b>INSTALLATION OF THE HOT TUB ON A TERRACE</b>	<b>5</b>
<b>HEATING THE HOT TUB</b>	<b>8</b>
<b>MAINTENANCE OF THE HOT TUB</b>	<b>10</b>

*A tub is snug!*

## About

### Dear hot tub owner!

These instructions are to assist you in using and subsequently maintaining your hot tub. Before using the hot tub for the first time, make sure you read these operating instructions. If you have any questions, additional information is available on our website at: [www.oeseltubs.ee](http://www.oeseltubs.ee)



- ✓ Capacity 6 to 8 people
- ✓ Water consumption 1600 L
- ✓ Heating time 2 to 2.5 hours
- ✓ External diameter of the hot tub 2.24 m
- ✓ Internal diameter of the hot tub 2.02 m
- ✓ Seat depth 0,65 m
- ✓ Weight approximately 80 kg

*A tub is snug!*

## Safety

When using the hot tub it is very important to follow local safety regulations, in order to avoid any risks to human health or property. The instructions below are common-sense recommendations to help prevent any immediate dangers from occurring.



**Firing the stove of the hot tub may begin only after the hot tub has been filled with water!**



**This product contains a hearth. Please be careful when handling a direct flame!**

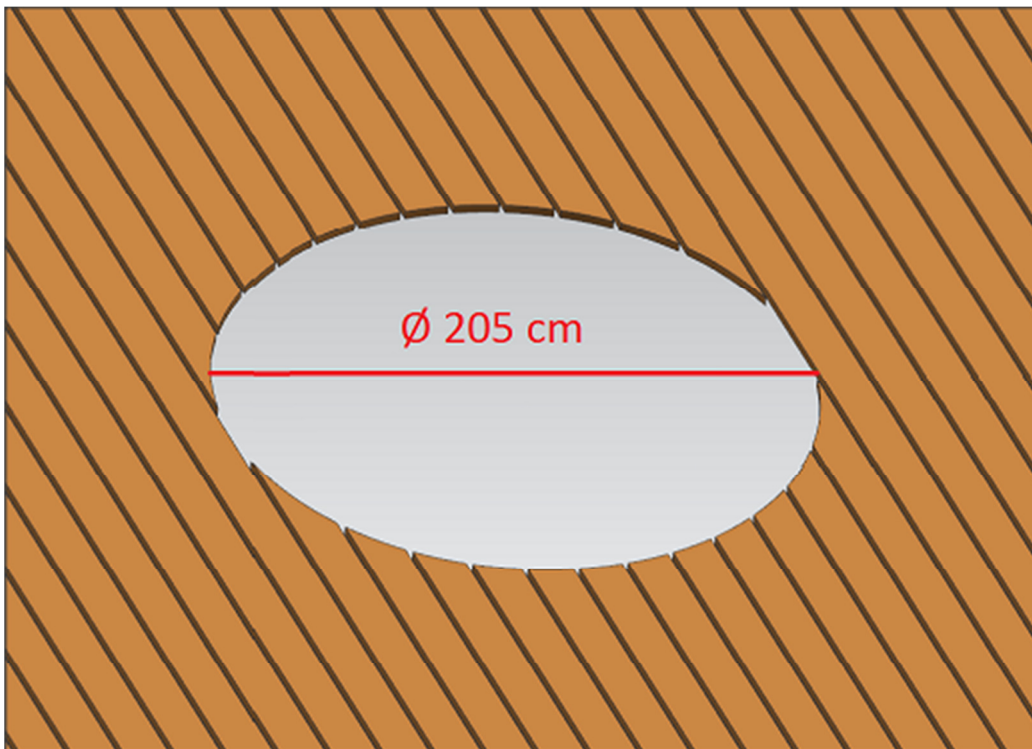
- ✓ Place the hot tub at a safe distance from any building (PLEASE NOTE: The chimney should be placed toward the outer edge of the terrace) for fire safety purposes.
- ✓ Never leave the hot tub's stove unattended while heating.
- ✓ While the stove is being fired, the chimney and the stove are hot and may cause burns when touched.
- ✓ The hot tub is intended for accommodating a certain number of people. Make sure that the number of users in the hot tub does not exceed the permitted number, or else the hot tub may be subjected to excess weight.
- ✓ When firing the stove, heat the water in the hot tub to a recommended maximum of +39 °C.
- ✓ Never jump into the hot tub.
- ✓ Never leave children unsupervised in the hot tub.
- ✓ The use of chlorine-containing detergents to wash the hot tub is prohibited.
- ✓ Never use abrasive cleaning agents to clean the hot tub.
- ✓ In winter, drain the hot tub and stove after use to prevent any subsequent freezing of water in the hot tub.

*A tub is snug!*

## Installation of the hot tub on a terrace

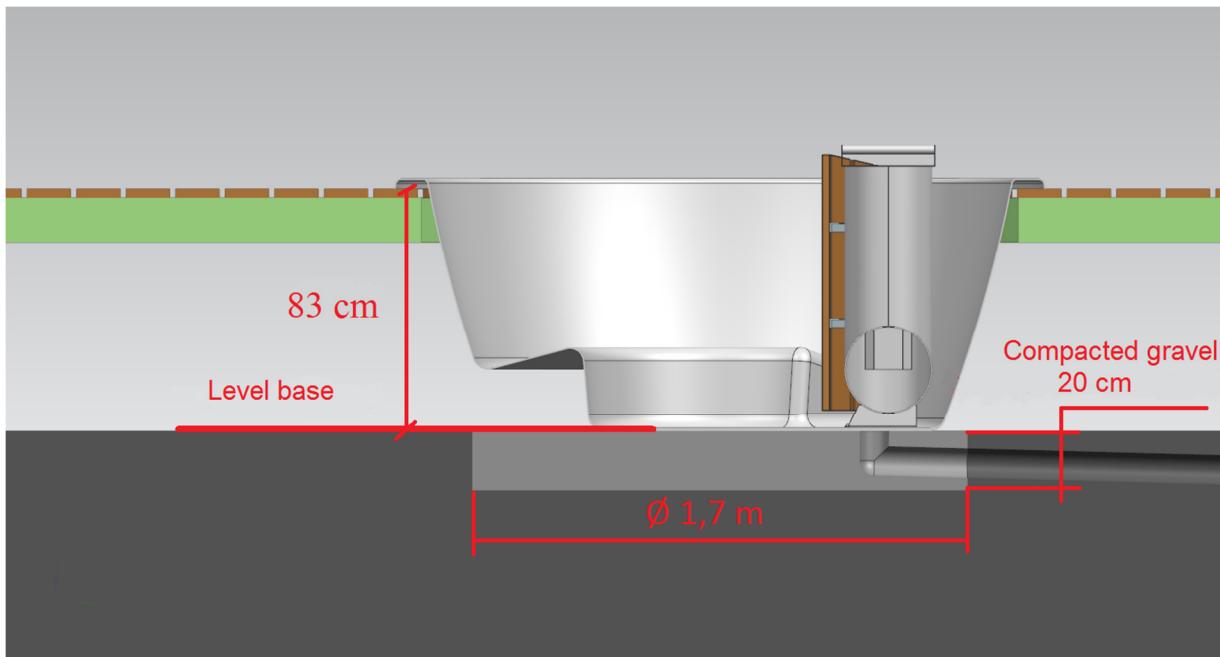
- ✓ The hot tub will be delivered to the customer's home, packaged on a pallet.
- ✓ First, saw a 205 cm diameter opening in the terrace (see Figure 1).
- ✓ Connect the beams of the terrace substructure among themselves and rest them on the ground for support.
- ✓ It is recommended that you fill the ground beneath the hot tub with a layer of compacted gravel of approximately 20 cm (see Figure 2).
- ✓ Lift the hot tub set inside the opening in the terrace and check that the bottom of the hot tub is resting on the level gravel surface.

Figure 1



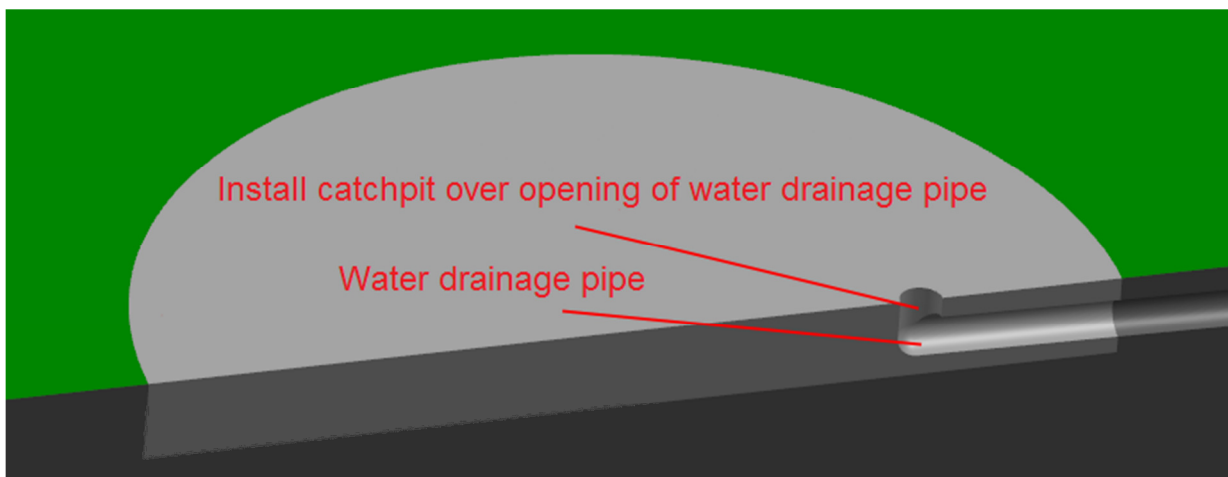
*A tub is snug!*

Figure 2



- ✓ It is advisable to drain any water from the hot tub into the sewage system or a stormwater drainage pipe (see Figure 3).

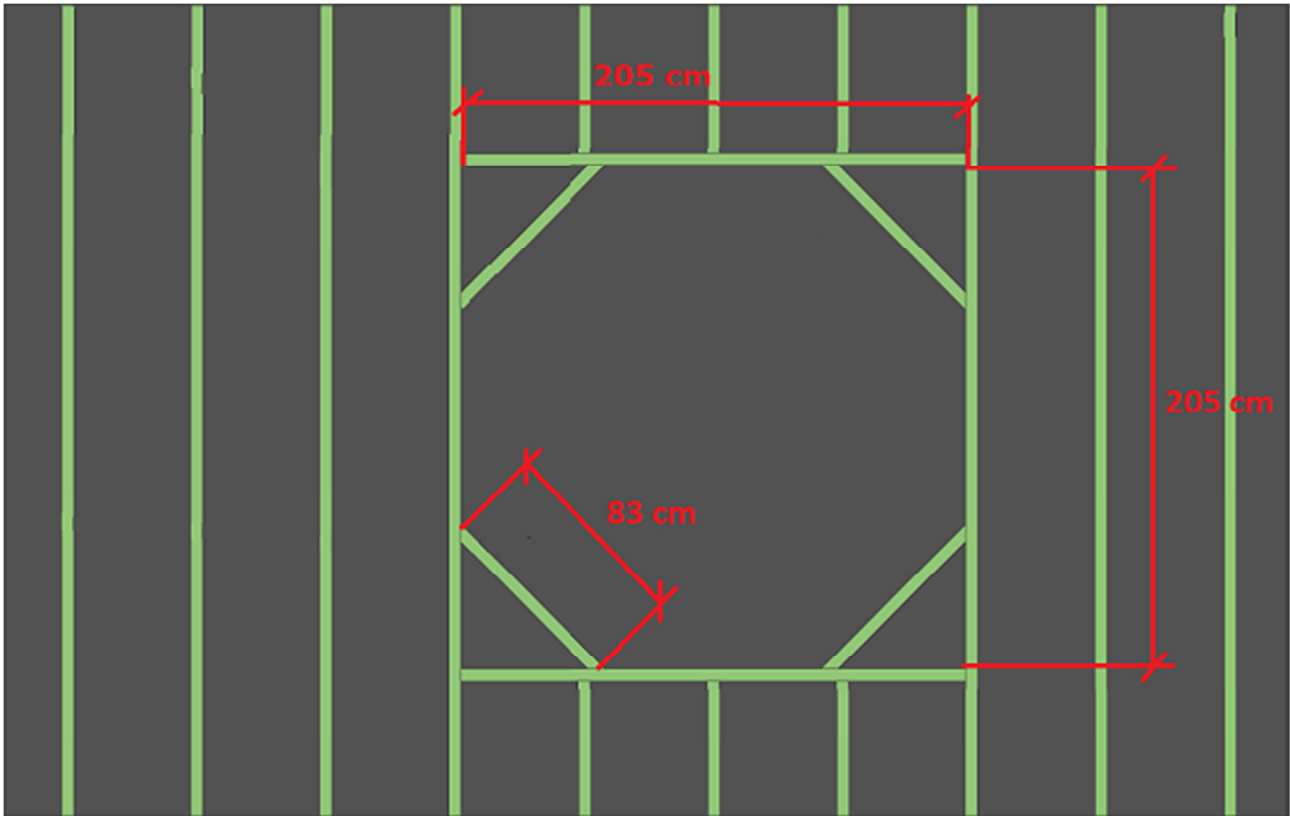
Figure 3



*A tub is snug!*

- ✓ If you are planning to build a new terrace and install a hot tub on it, it is advisable to carefully adhere to the dimensions shown in the figure below (see Figure 4).

Figure 4



*A tub is snug!*

## Heating the hot tub



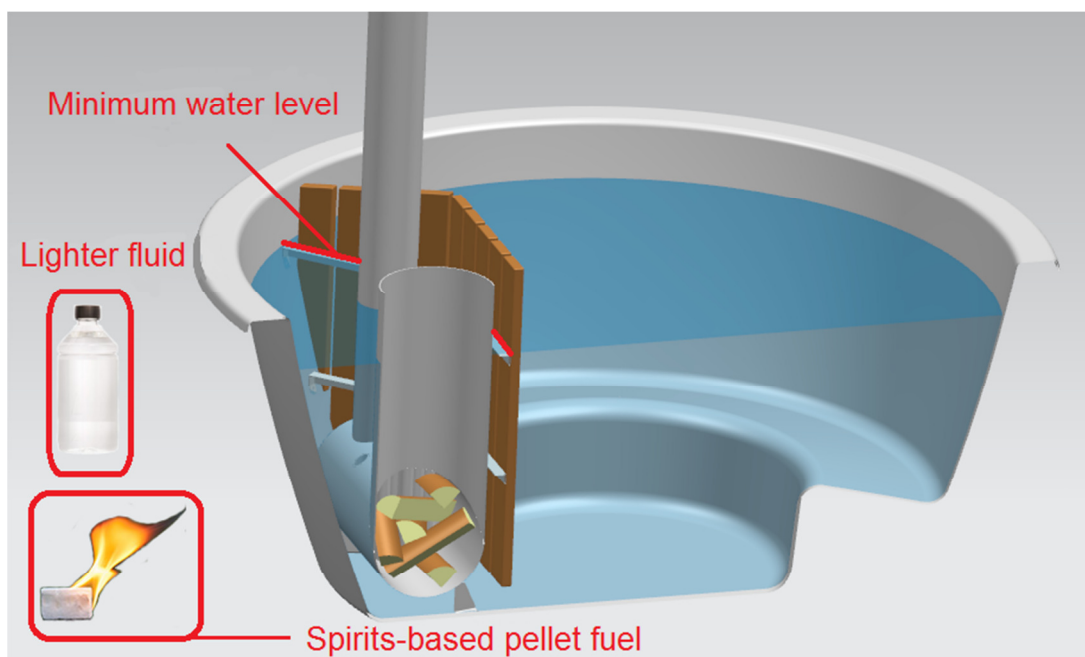
**Firing the stove may begin only after the hot tub has been filled with water!**



**Water may be drained from the hot tub only after the embers in the stove have been fully extinguished!**

- ✓ Before filling the hot tub with water, make sure that the catchpit of the hot tub is closed with a plug. It is advisable to connect the plug to a cord and a float, which will make it easier to open the plug later when draining the water from the hot tub.
- ✓ Fill the hot tub with water to the top mounting frame of the stove fence (see Figure 5).
- ✓ To heat water faster, it is advisable to cover the section of the hot tub that is external to the stove with a cover.
- ✓ We recommend using dry wood to fire the hot tub's stove. Use a spirits-based pellet fuel starter or lighter fluid to facilitate starting a fire (see Figure 5).
- ✓ When firing the stove of the hot tub, it should not be completely filled with firewood, as this may reduce the draft and impede the ignition of the firewood.

Figure 5



*A tub is snug!*



- ✓ When first starting a fire, it is advisable to use smaller wood chips.
- ✓ Once a fire has ignited, introduce dry split logs of approximately 40 to 45 cm in length into the stove.
- ✓ When you first begin to fire the stove, initially keep the lid off the stove to provide for a better draft of air. Using the lid of the stove, the movement of the air flow can be adjusted later, whilst preventing any water spray from entering the stove.
- ✓ It is recommended to heat the water in the hot tub to a maximum of +39 °C.
- ✓ It is advisable to use an ordinary ash scoop for removing any firebrands from the stove or a vacuum ash suction device for removing any ash.



**Never use paper to light firewood, as this may cause excessive airborne sparks!**

*A tub is snug!*

## Maintenance of the hot tub

Cleaning and maintaining the hot tub regularly is important, particularly in terms of both hygiene and the long-term preservation of the hot tub.

**NB! The instructions below are recommendations for users of the hot tub.**

- ✓ It is advisable to wash and clean the hot tub after each use.
- ✓ It is advisable to shower before using the hot tub, to ensure better hygiene in the water.
- ✓ The hot tub's contents (except for timber parts) may be washed with a pressure washer, and we advise using household detergents and a soft cloth to clean it.
- ✓ No abrasive material should be used to clean the hot tub (will cause discolouration of the hot tub).
- ✓ It is advisable to apply *Tikkurila* timber oil to the timber details of the hot tub (brown, colour 5052, *Valtti*® *Puuöljy*) once a year.



**In winter, always drain the water from the hot tub and stove after use.  
Water freezing may cause the hot tub or stove to break!**

*A tub is snug!*